

# ELECTRIC SHAFT DRIVE

## High performance

The performance of a Kräutler shaft drive engine provides a reliable alternative for a conventional marine diesel engine.

Electric shaft Drive's superior torque curve, in respect to conventional diesel marine engines, make the electric drive system a better choice for your yacht.

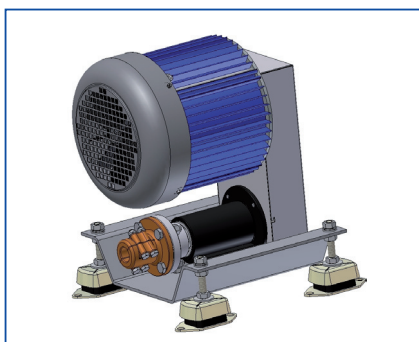
The asynchronous motor is brushless and absolutely free of maintenance.

Effective 3-blade propellers make low revolutions possible, offer high trust performance and save a lot of space.

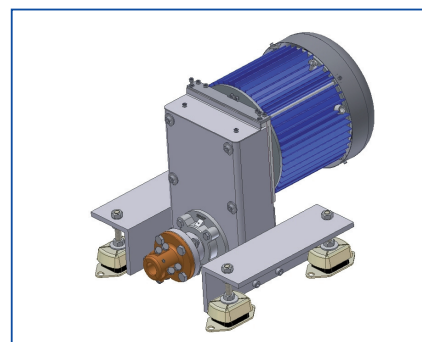
## Controllable

The single-lever offers continuous control and operates the motor in forward and reverse gear.

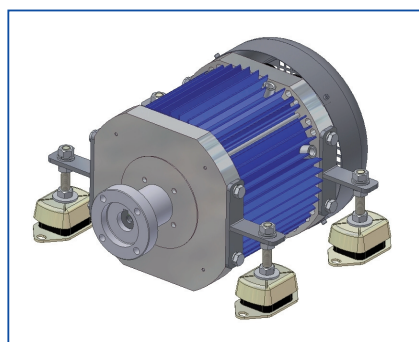
The highly sophisticated control works without any energy loss.



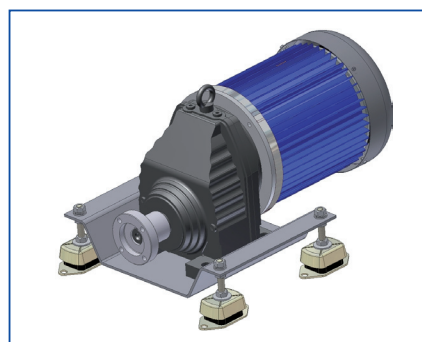
WA 2,5 - 6,0 AC



WA 2,5 - 6,0 AC



WAd 2,0 - 5,0 AC



WAz 6,0 - 25,0 AC

## Low noise

The low noise motor grants minimal vibration, is free of emission, such as CO<sub>2</sub> and highly reliable in operation.

## Maintenance-free

Electric motors are totally emission-free. They are the future in maritime applications, since they apply to all environmental protection requirements, today and in future.

Type	Power consumption	Power output	Voltage	Current	Total efficiency	Weight	up to boatweight	
							Sailingboot	Powerboot
WAd 2,0 AC	2,5 kW	2,0 kW	24 V	104 A	80 %	35 kg	-	0,4 t
WAd 3,0 AC	3,6 kW	3,0 kW	36 V	100 A	83 %	35 kg	-	0,6 t
WAd 4,0 AC	4,7 kW	4,0 kW	48 V	99 A	84 %	35 kg	-	0,8 t
WAd 5,0 AC	5,9 kW	5,0 kW	48 V	123 A	85 %	35 kg	-	1,0 t
WA 2,5 AC	3,1 kW	2,5 kW	24 V	130 A	80 %	44 kg	2,5 t	1,0 t
WA 3,5 AC	4,1 kW	3,5 kW	36 V	115 A	85 %	44 kg	3,5 t	1,4 t
WA 4,3 AC	5,0 kW	4,3 kW	48 V	104 A	85 %	44 kg	4,3 t	1,7 t
WA 6,0 AC	7,1 kW	6,0 kW	48 V	148 A	85 %	44 kg	6,0 t	2,4 t
WAz 6,0 AC	7,1 kW	6,0 kW	48 V	148 A	85 %	62 kg	6,0 t	2,4 t
WAz 8,0 AC	9,4 kW	8,0 kW	48 V	196 A	85 %	74 kg	8,0 t	3,2 t
WAz 10,0 AC	11,8 kW	10,0 kW	96 V	123 A	85 %	74 kg	10,0 t	4,0 t
WAz 15,0 AC	17,1 kW	15,0 kW	96 V	178 A	88 %	97 kg	15,0 t	6,0 t
WAz 20,0 AC	22,8 kW	20,0 kW	96 V	237 A	88 %	107 kg	20,0 t	8,0 t
WAz 25,0 AC	28,4 kW	25,0 kW	96 V	296 A	88 %	107 kg	25,0 t	10,0 t

Higher performances on request



Kräutler Elektromaschinen GmbH, Hohenemser Str. 47, A-6890 Lustenau, Austria  
 Phone ++43 / 55 77 / 82 534-0, Fax ++43 / 55 77 / 82 534-10  
 www.kraeutler.at, E-mail: kraeutler@kraeutler.at