

# ELEKTRO SAIL-DRIVE ELECTRIC ROTATABLE

## Maximum performance

Electric Sail-Drive's superior torque curve, in respect to conventional diesel marine engines, make the electric drive system a better choice for your yacht.

The asynchronous motor is brushless and absolutely free of maintenance.

Effective 3-blade propellers make low revolutions possible, offer high thrust performance and save a lot of space.

## Controllable

The single-lever offers continuous control and operates the motor in forward and reverse gear.

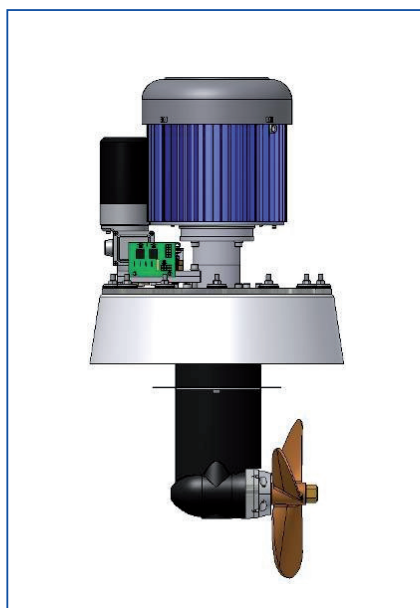
The highly sophisticated control works without any energy loss.

## Low-noise

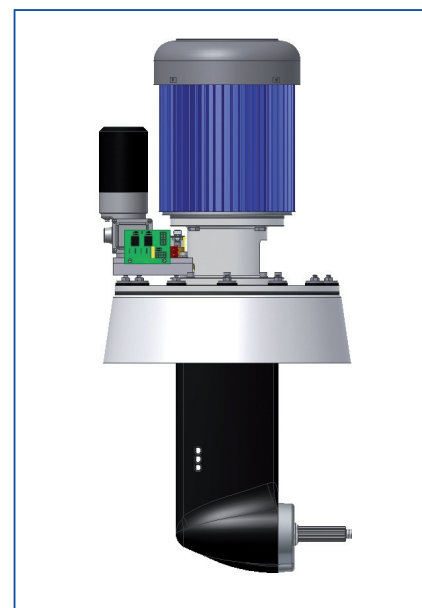
The low noise electric motor is almost free of vibration.

## Environmental friendly

Electric motors are totally emission-free. They are the future in maritime



SDK-ED 2,5 - 6,0 AC



SDK-ED 8,0 - 25,0 AC

applications, since they apply to all environmental protection requirements, today and in future.

## Easy to install

The Sail-Drive is supplied with a base plate for lamination onto the vessel's hull to keep installation work to a minimum.

For installation of the Sail-Drive onto an existing "Volvo" or "Yanmar" plate.

## Electric rotatable

Our electric rotatable Sail-Drive is equipped with a 12V motor.

Therefore the Sail-Drive can be turned 90° to each side.

This provides maximum manoeuvrability and rejects the need of bow and stern thrusters.

Type	Power consumption	Power output	Voltage	Current	Total efficiency	Weight	up to displacement	
							Sailingboot	Powerboot
SDK-ED 2,5 AC	3,1 kW	2,5 kW	24 V	130 A	80 %	58 kg	2,5 t	1,0 t
SDK-ED 3,5 AC	4,1 kW	3,5 kW	36 V	115 A	85 %	58 kg	3,5 t	1,4 t
SDK-ED 4,3 AC	5,0 kW	4,3 kW	48 V	104 A	85 %	58 kg	4,3 t	1,7 t
SDK-ED 5,0 AC	5,9 kW	5,0 kW	48 V	123 A	85 %	58 kg	5,0 t	2,0 t
SDK-ED 6,0 AC	7,1 kW	6,0 kW	48 V	148 A	85 %	75 kg	6,0 t	2,4 t
SDKH-ED 8,0 AC	9,4 kW	8,0 kW	48 V	196 A	85 %	87 kg	8,0 t	3,2 t
SDKH-ED 10,0 AC	11,8 kW	10,0 kW	96 V	123 A	85 %	87 kg	10,0 t	4,0 t
SDKH-ED 15,0 AC	17,1 kW	15,0 kW	96 V	178 A	88 %	98 kg	15,0 t	6,0 t
SDKH-ED 20,0 AC	22,8 kW	20,0 kW	96 V	237 A	88 %	108 kg	20,0 t	8,0 t
SDKH-ED 25,0 AC	28,4 kW	25,0 kW	96 V	296 A	88 %	108 kg	25,0 t	10,0 t

Higher performances on request

## Base plate and shaft

Up to SDK 6,0 AC - small base plate and shaft diameter 25 with 1:10 cone



Krätler Elektromaschinen GmbH, Hohenemser Str. 47, A-6890 Lustenau, Austria  
Phone ++43 / 55 77 / 82 534-0, Fax ++43 / 55 77 / 82 534-10  
www.kraeutler.at, E-mail: kraeutler@kraeutler.at