

SUBMERSIBLE ELECTRIC MOTOR

Maximum performance

Electric flange motor's superior torque curve, in respect to conventional petrol marine engines, make the electric drive system a better choice for your yacht.

We offer the GP series as a permanently activated DC motors with utmost efficiency.

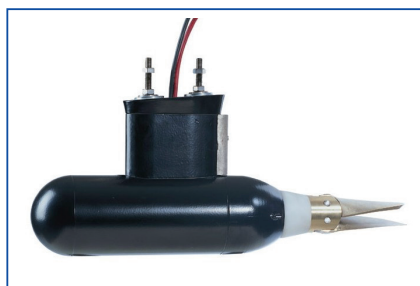
The asynchronous motor is brushless and absolutely free of maintenance.

Effective 3-blade propellers make low revolutions possible and offer high trust performance.

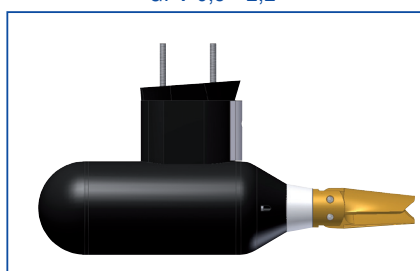
A motor GP 1,6 provides same thrust, than a 4 HP petrol Outboard Engine.

Low-noise

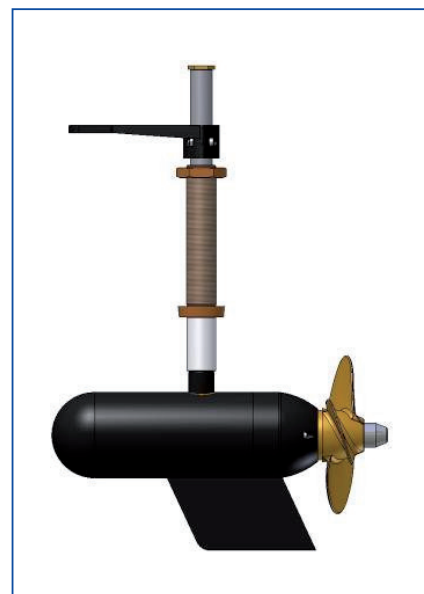
The low noise electric motor is almost free of vibration.



GPV 0,5 - 2,2



ACV 1,8 - 8,0



GPH / ACH

Controllable

The single-lever offers continuous control and operates the motor in forward and reverse gear.

The highly sophisticated control works without any energy loss.

Environmental friendly

Electric motors are totally emission-free. They are the future in maritime applications, since they apply to all environmental protection requirements, today and in future.

Type	Power consumption	Power output	Voltage	Current	Total efficiency	Dimension	Weight	up to boatweight	
								Sailingboot	Powerboot
GPV 0,5	0,5 kW	0,4 kW	24 V	21 A	85 %	Ø 118x370 mm	14 kg	0,4 t	-
GPV 0,8	0,8 kW	0,7 kW	24 V	34 A	85 %	Ø 118x370 mm	15 kg	0,7 t	-
GPV 1,6	1,6 kW	1,4 kW	24 V	67 A	85 %	Ø 118x440 mm	20 kg	1,4 t	-
ACV 1,8	2,4 kW	1,8 kW	24 V	100 A	75 %	Ø 140x430 mm	21 kg	1,8 t	
GPV 2,2	2,2 kW	1,9 kW	36 V	61 A	85 %	Ø 118x440 mm	20 kg	1,9 t	-
ACV 3,5	4,4 kW	3,5 kW	48 V	91 A	80 %	Ø 140x480 mm	29 kg	3,5 t	-
ACV 4,0	5,0 kW	4,0 kW	48 V	104 A	80 %	Ø 140x480 mm	29 kg	4,0 t	-
ACV 8,0	9,7 kW	8,0 kW	48 V	202 A	82 %	Ø 168x550 mm	40 kg	8,0 t	-
GPH 0,5	0,5 kW	0,4 kW	24 V	21 A	85 %	Ø 118x370 mm	15 kg	0,4 t	0,2 t
GPH 0,8	0,8 kW	0,7 kW	24 V	34 A	85 %	Ø 118x370 mm	16 kg	0,7 t	0,3 t
GPH 1,6	1,6 kW	1,4 kW	24 V	67 A	85 %	Ø 118x440 mm	21 kg	1,4 t	0,6 t
ACH 1,8	2,4 kW	1,8 kW	24 V	100 A	75 %	Ø 140x430 mm	22 kg	1,8 t	0,7 t
GPH 2,2	2,2 kW	1,9 kW	36 V	61 A	85 %	Ø 118x440 mm	21 kg	1,9 t	0,8 t
ACH 3,5	4,4 kW	3,5 kW	48 V	95 A	80 %	Ø 140x480 mm	30 kg	3,5 t	1,4 t
ACH 4,0	5,0 kW	4,0 kW	48 V	108 A	80 %	Ø 140x480 mm	30 kg	4,0 t	1,6 t
ACH 8,0	9,7 kW	8,0 kW	48 V	202 A	82 %	Ø 168x550 mm	44 kg	8,0 t	3,2 t

